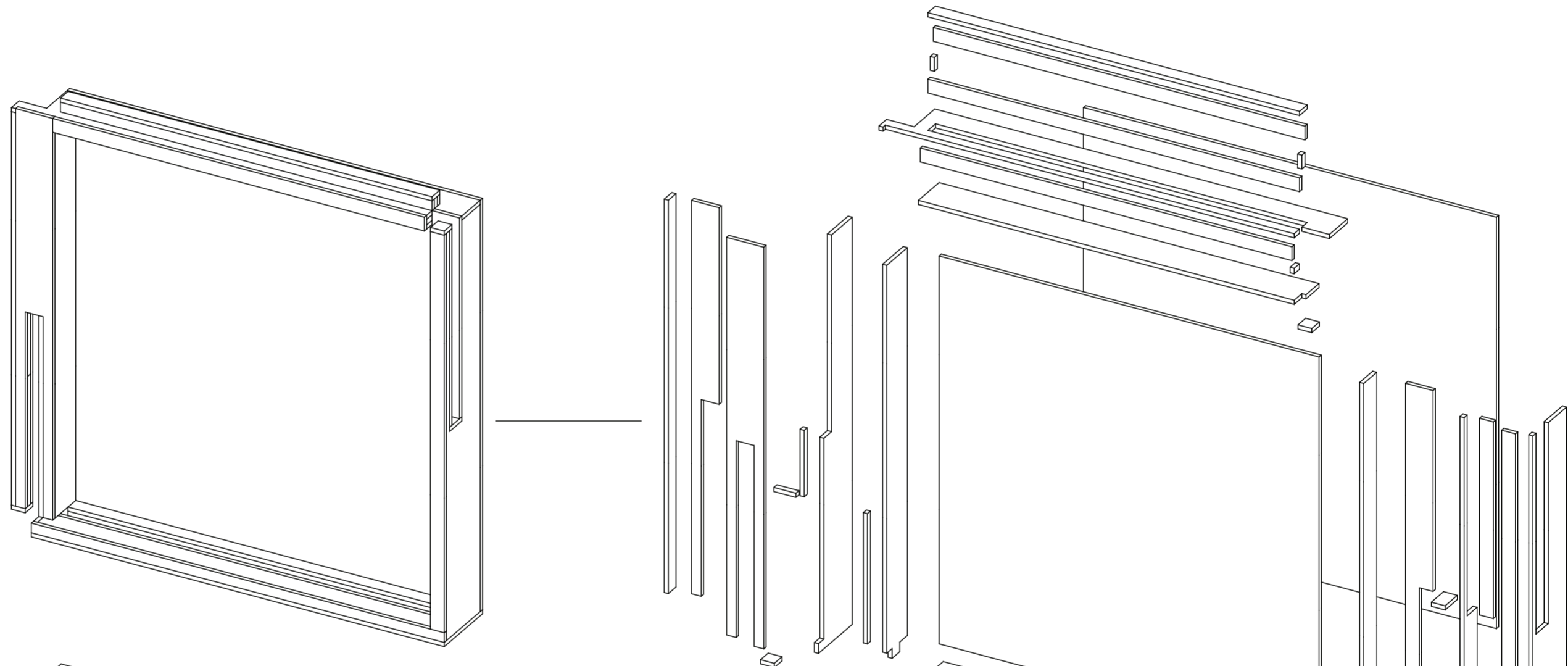
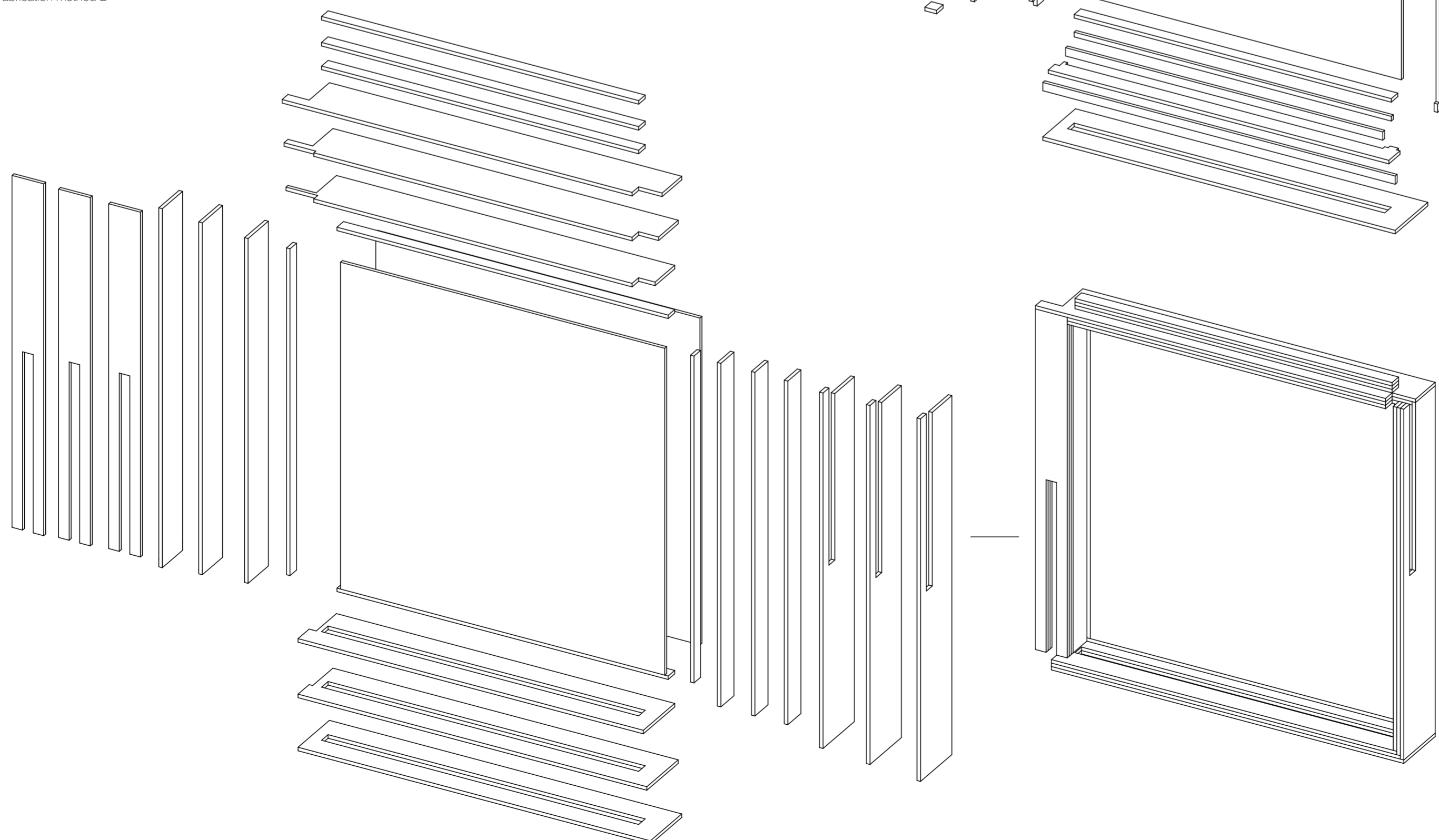


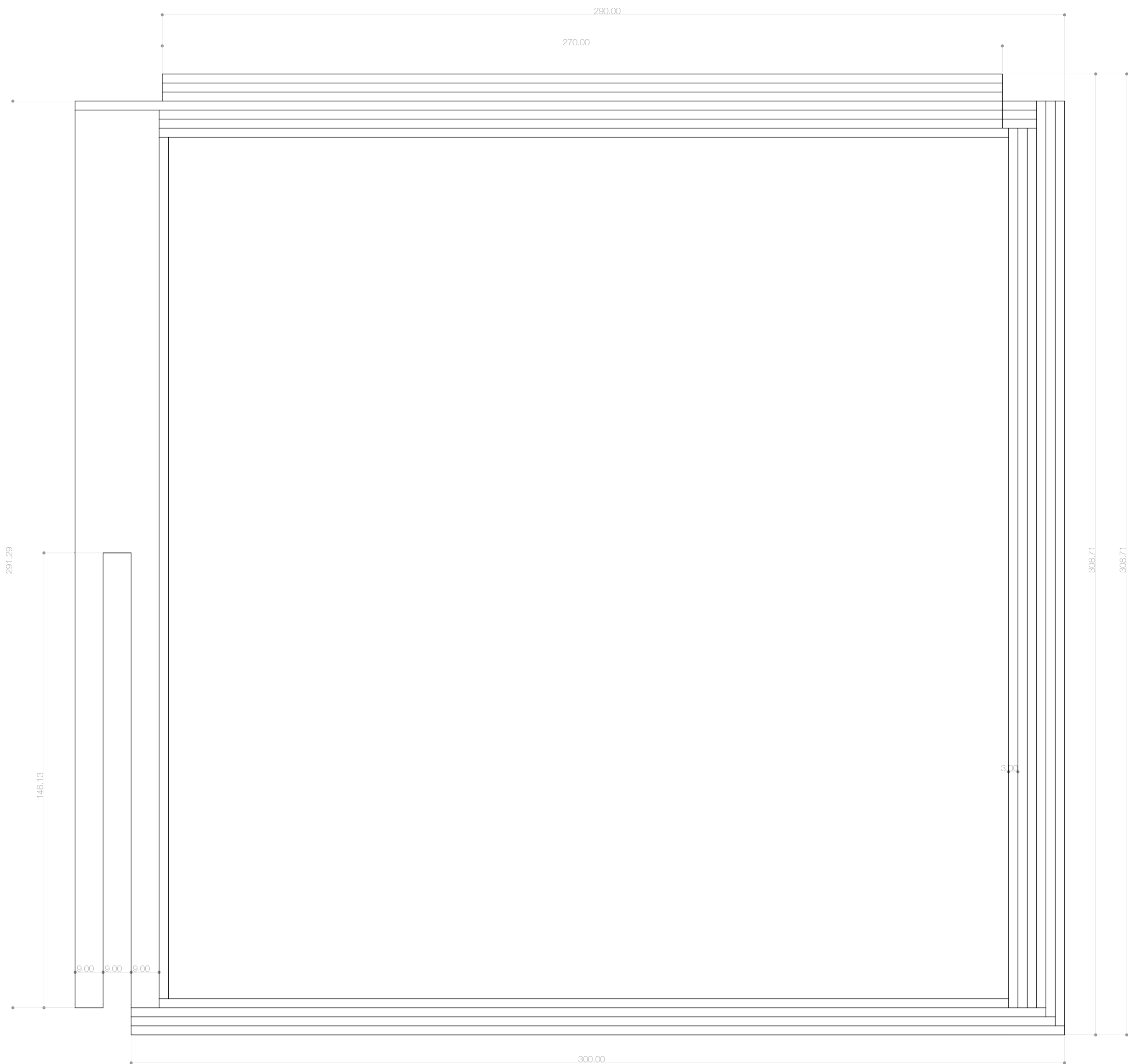
Dragon Skin Pavilion / Emmi Keskisarja, Pekka Tynkynen & LEAD

Fabrication method 1



Fabrication method 2





Front view, scale 1:1

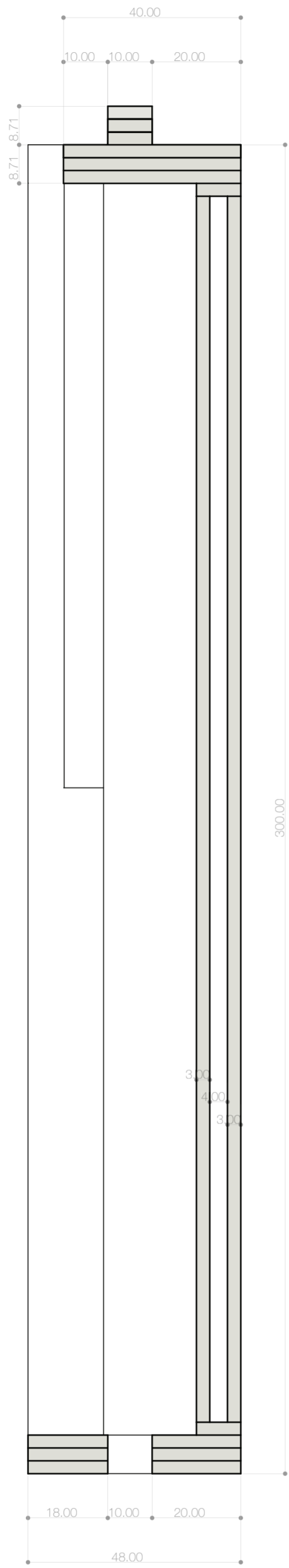


Top view, scale 1:1

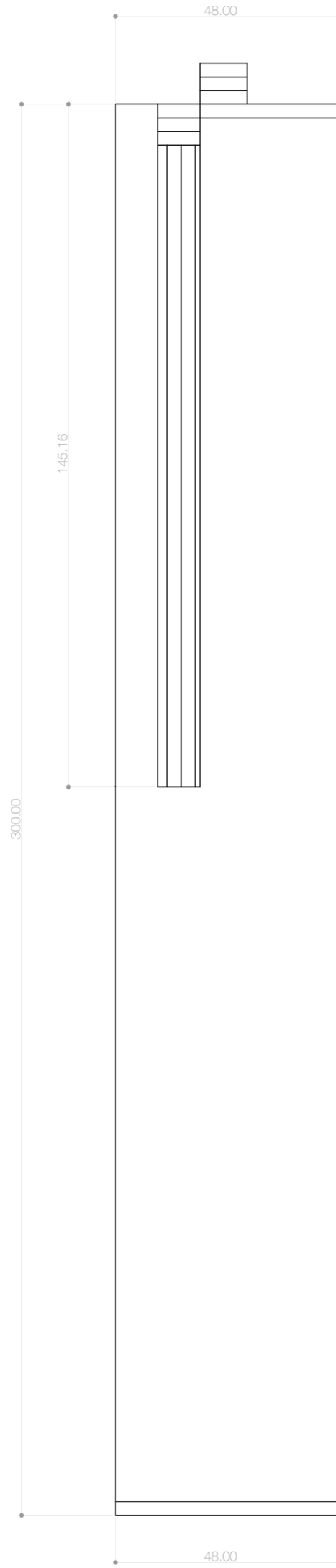


Bottom view, scale 1:1

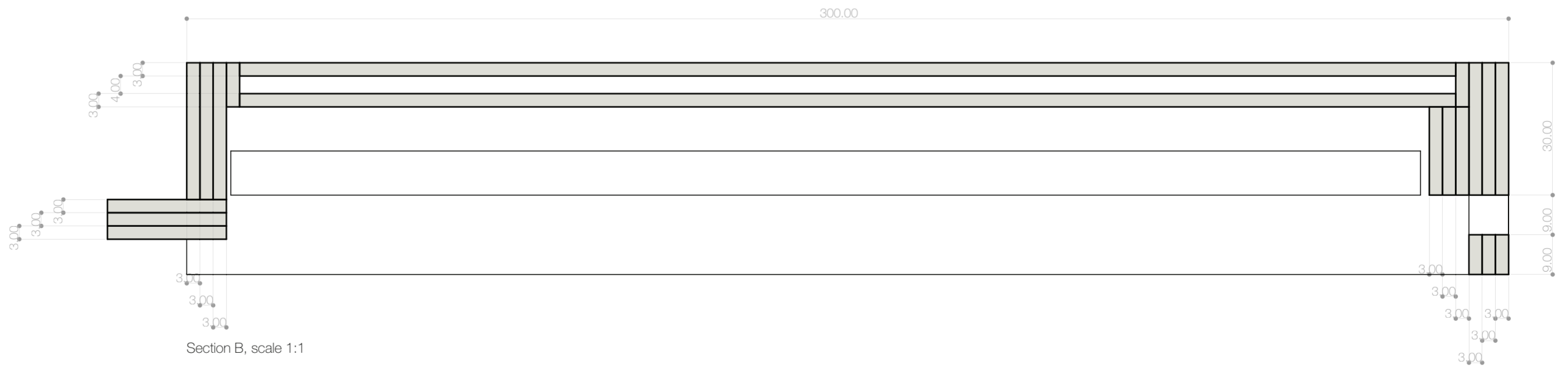
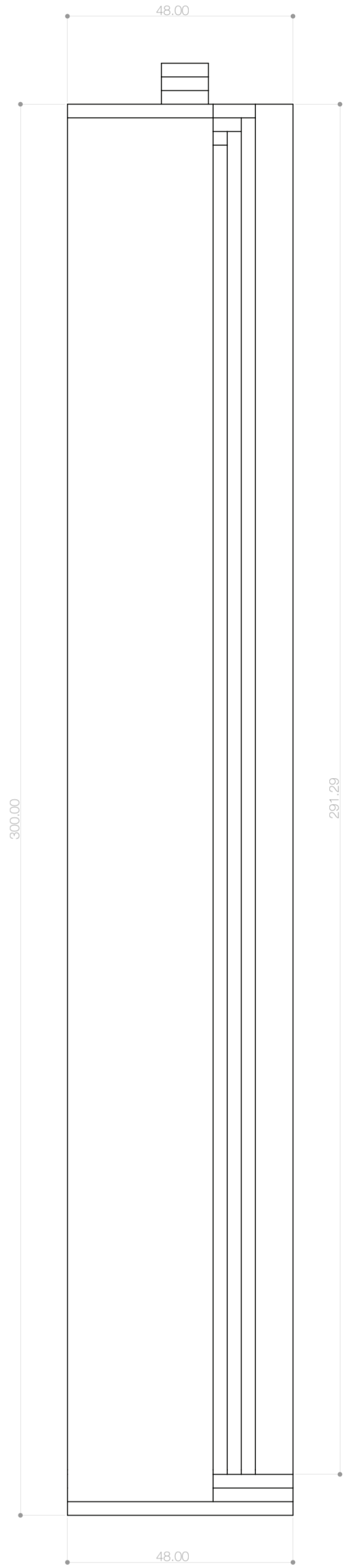
Section A, scale 1:1



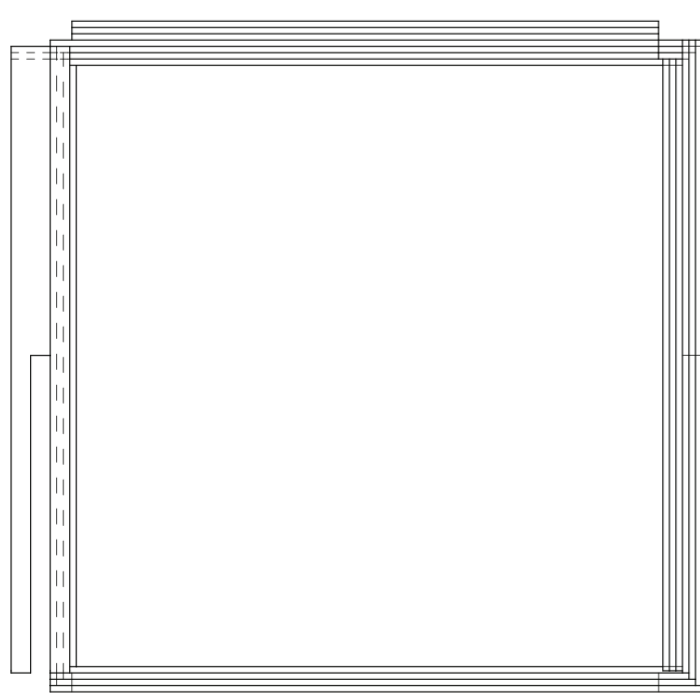
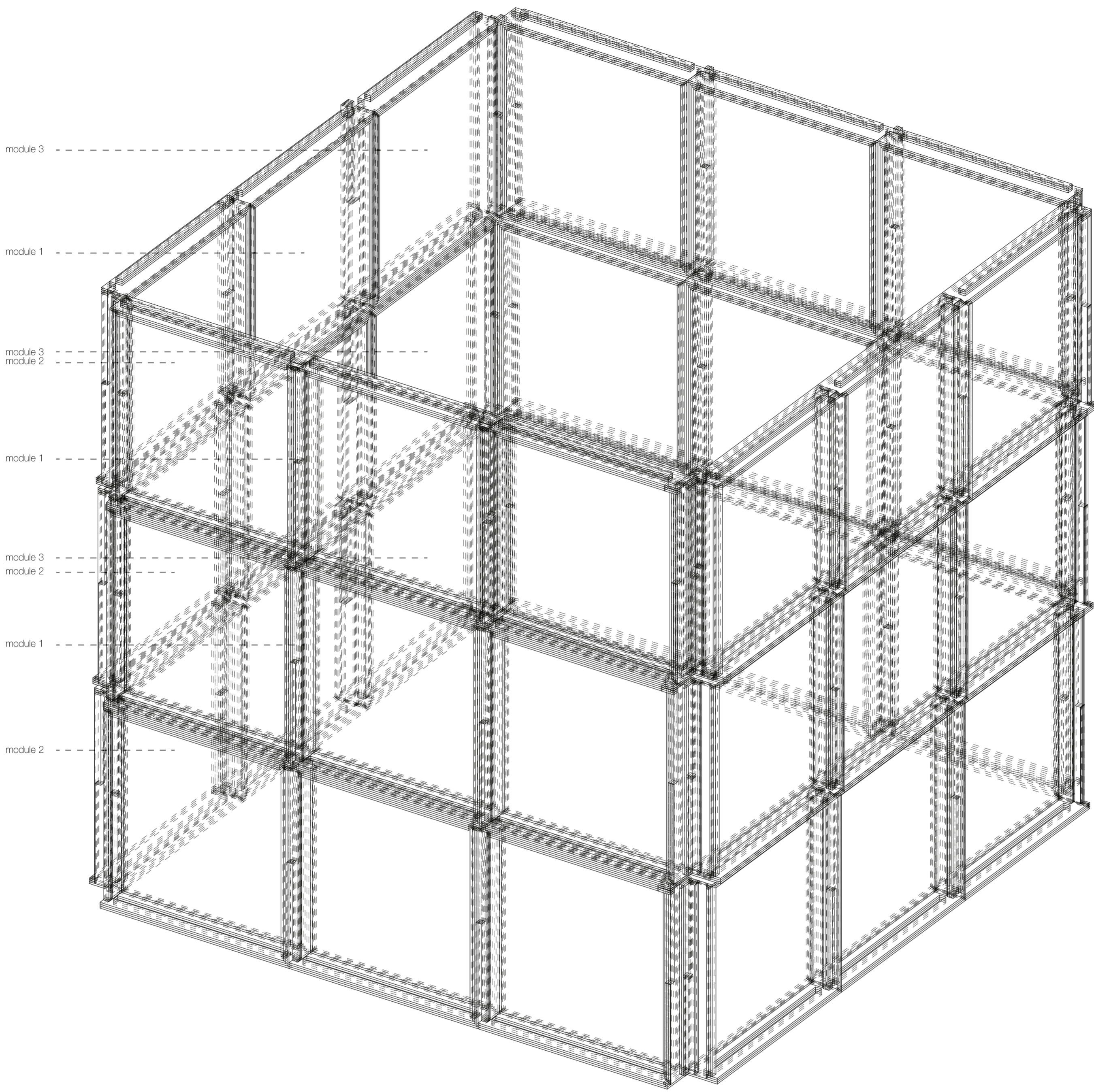
Side view, Right, scale 1:1



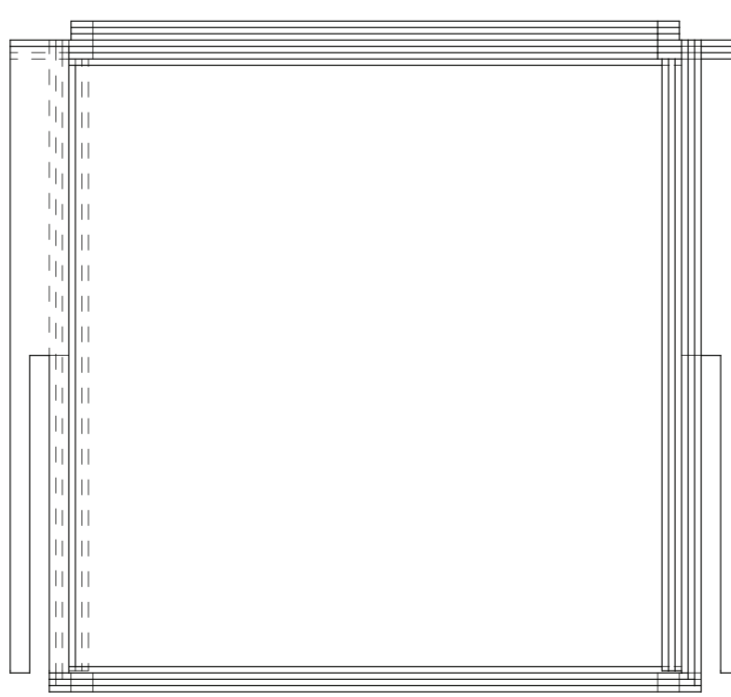
Side view, Left, scale 1:1



Section B, scale 1:1



module 1 (original)



module 2

