

Technical Studies (Construction Site Exercise)

Second Year
Student- Tuan Anh Tran

SCAFFOLDING

A temporary platform either supported from below or suspended from above, on which workers sit or stand when performing tasks at heights above the ground.



Suspended from above

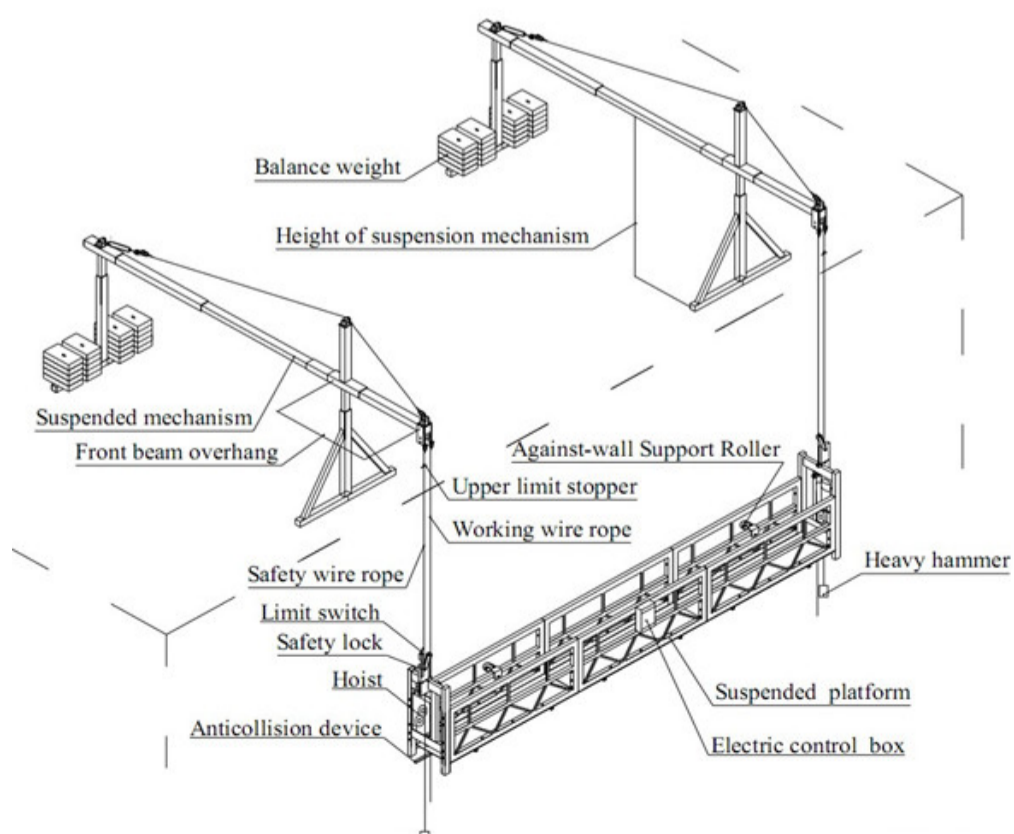


Supporting from the ground

SUSPENDED SCALFOLDING:



Modern



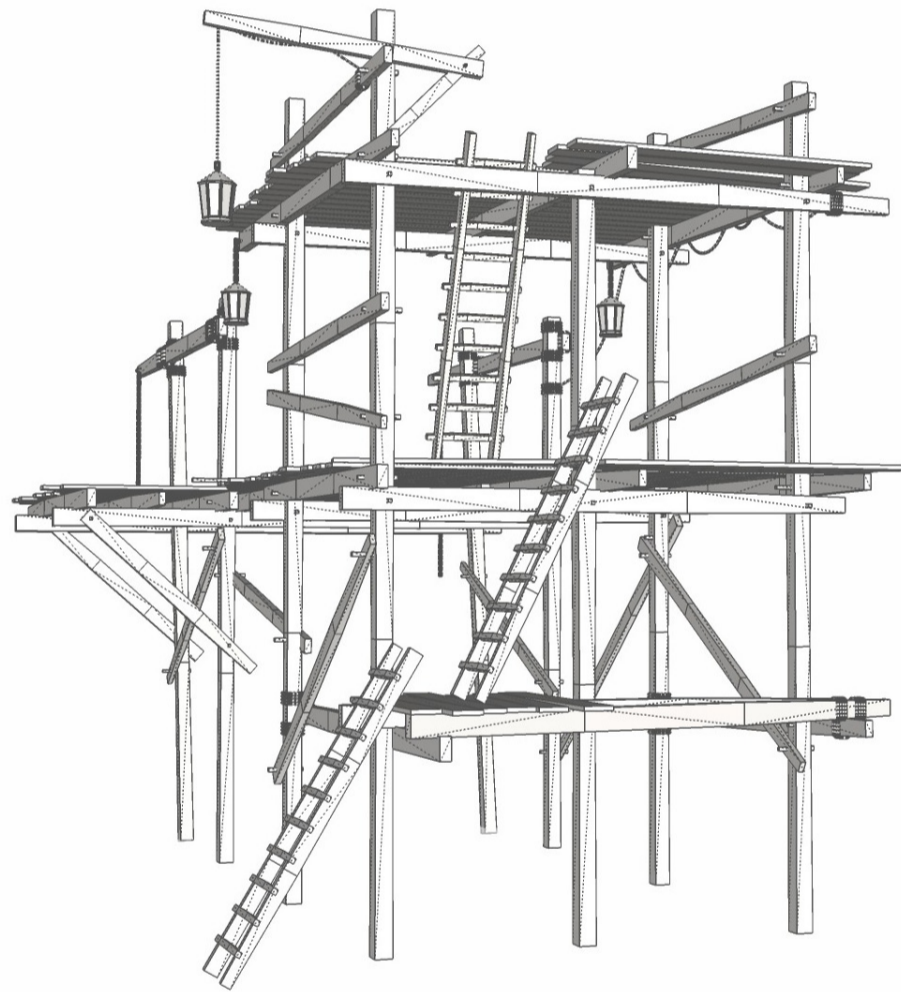
Basic structure for suspended scaffolding
Weight balances with the main platform

SCALFOLDING SUPPORTING FROM THE GROUND:

Primitive types of scaffolding were usually made from wooden battens tied together with rope still used to this day mainly in china using bamboo



Bamboo structure with strings or ropes tied them together

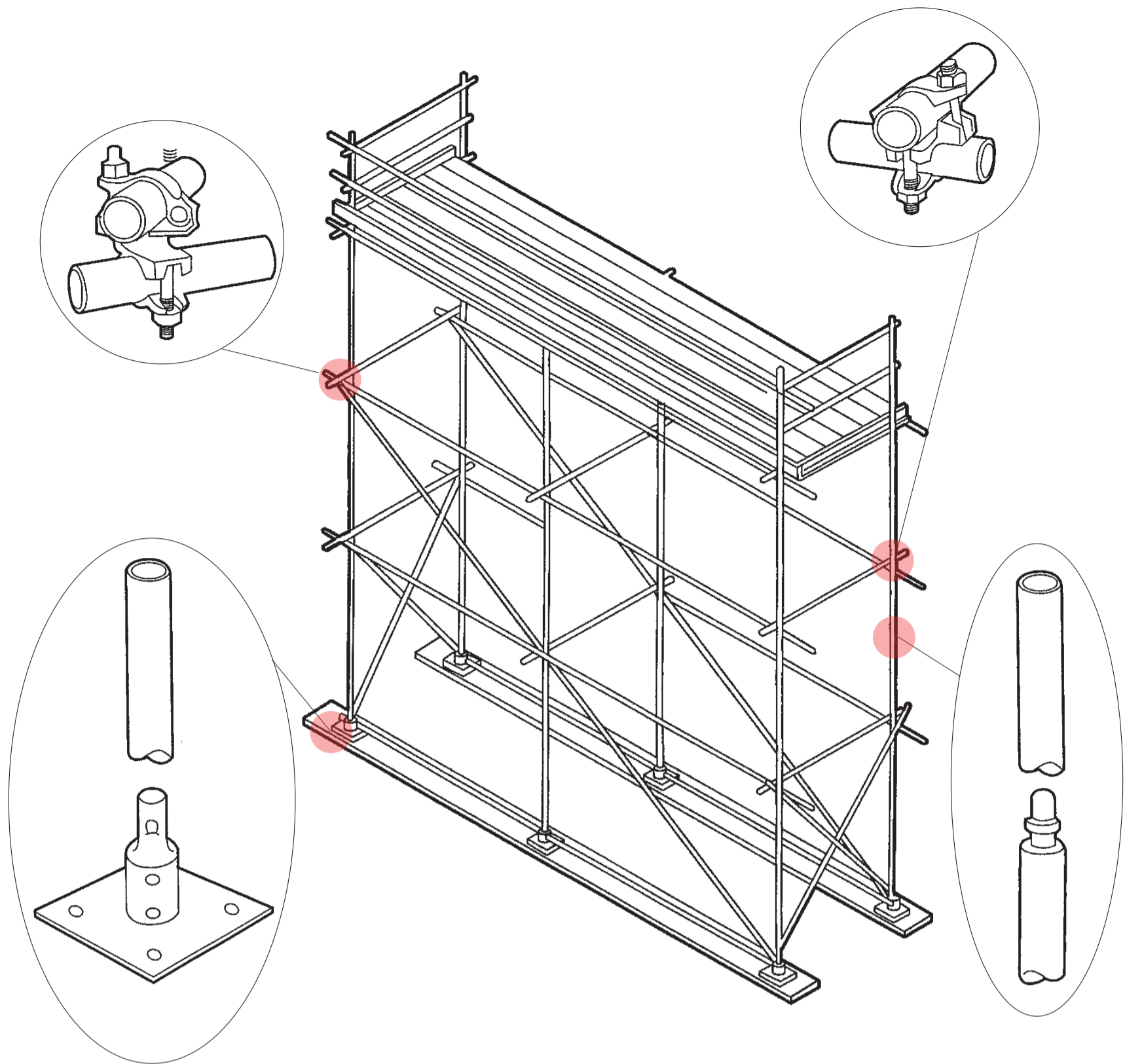


Wood planks join together with dowels

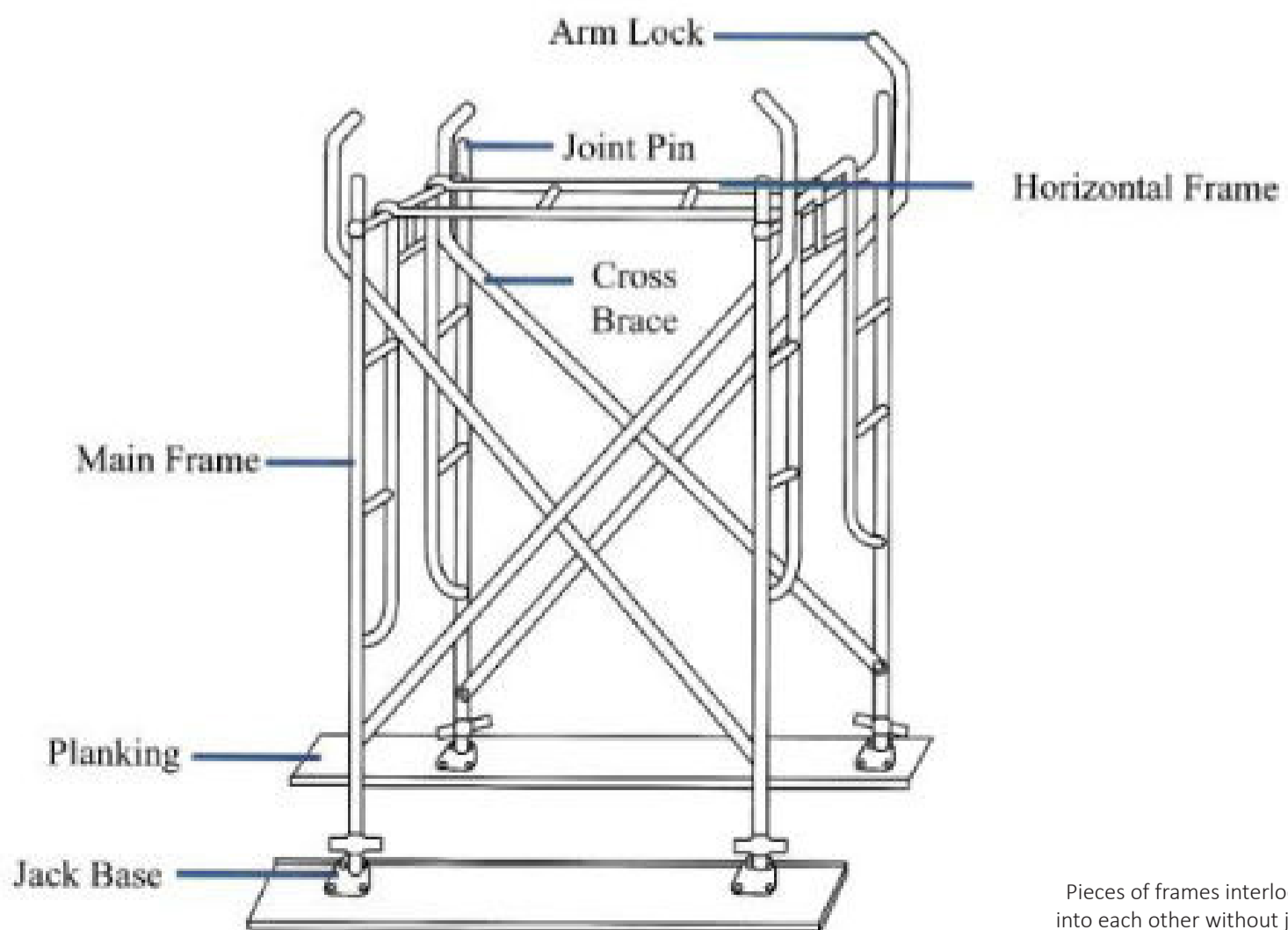


The new introduction of steel over wood meant that as the building became higher the scaffolding became more suited and stronger, with the introduction of the diagonal bracing they became able to extend upwards with greater stability.





Steel scaffolding with different types of joints



Pieces of frames interlocking into each other without joints