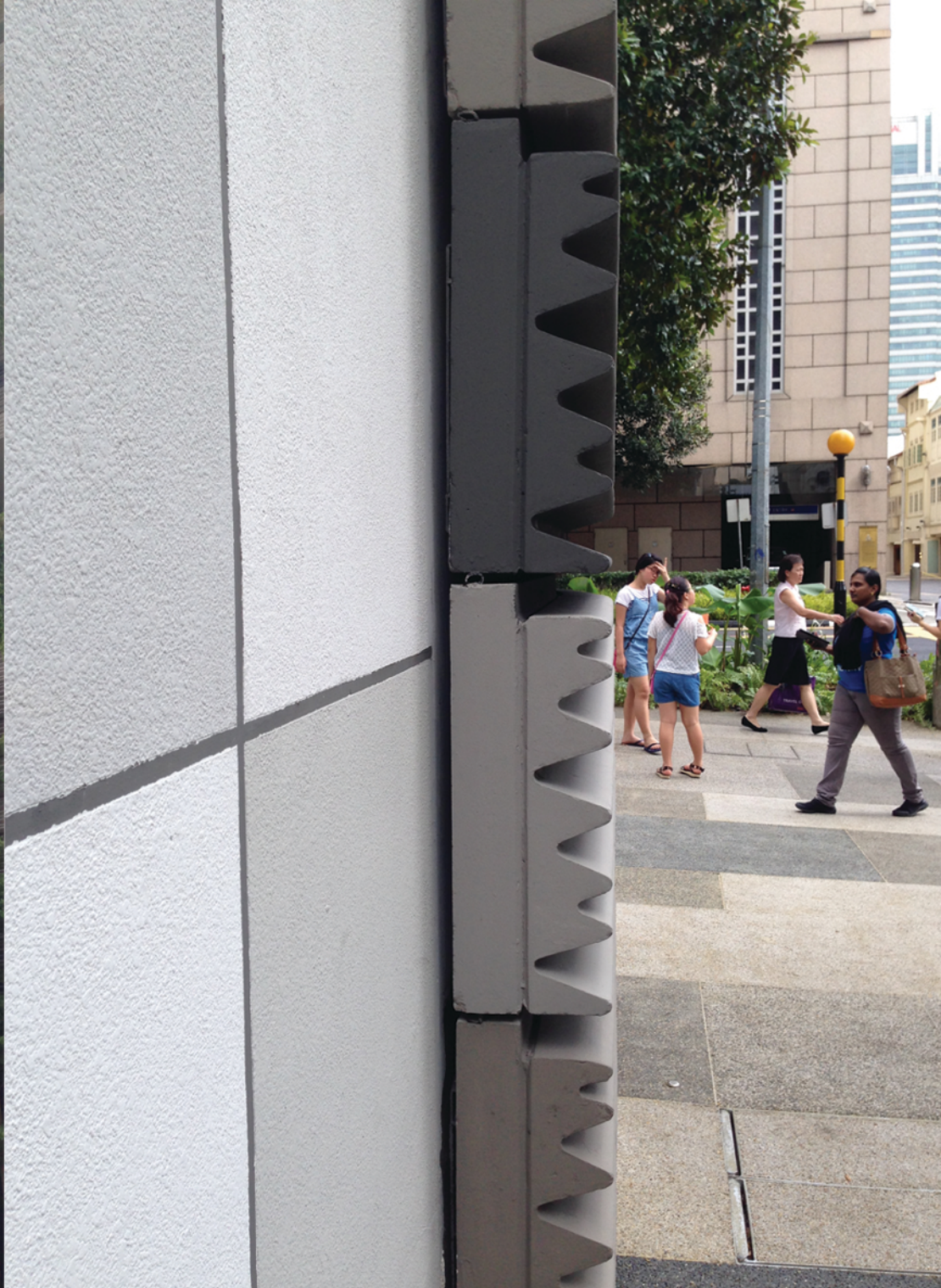




PARK ROYAL @ PICKERING
Location: Singapore
Architect: WOHA



GRC FACADE

150mm THK RC WALL

150mm x 60mm STEEL L-PLATE BOLTED TO RC WALL

50mm x 50mm HOLLOW STEEL CHANNEL BOLTED TO L-PLATE & GFRC FACADE

50mm x 25mm HOLLOW STEEL CHANNEL BOLTED TO L-PLATE.

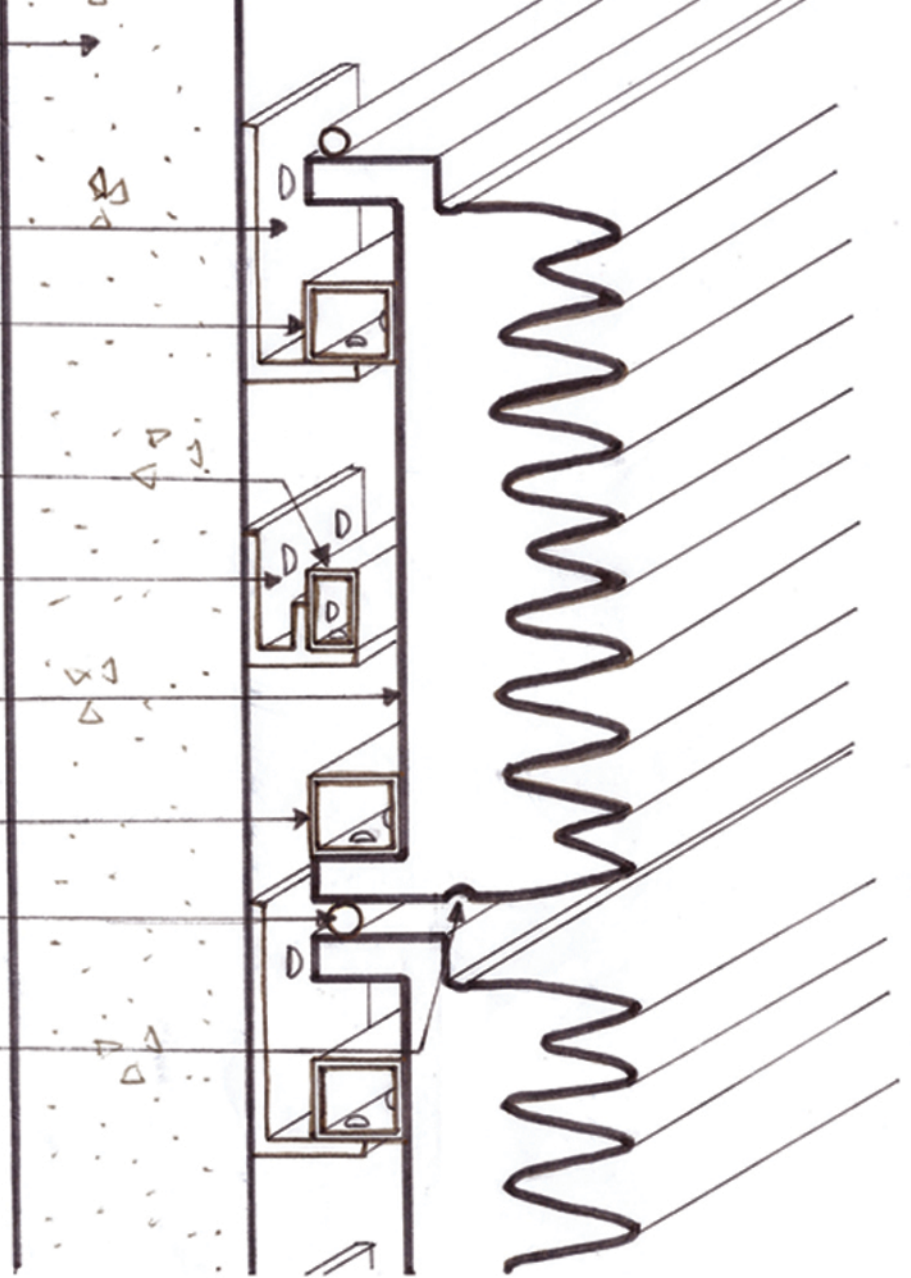
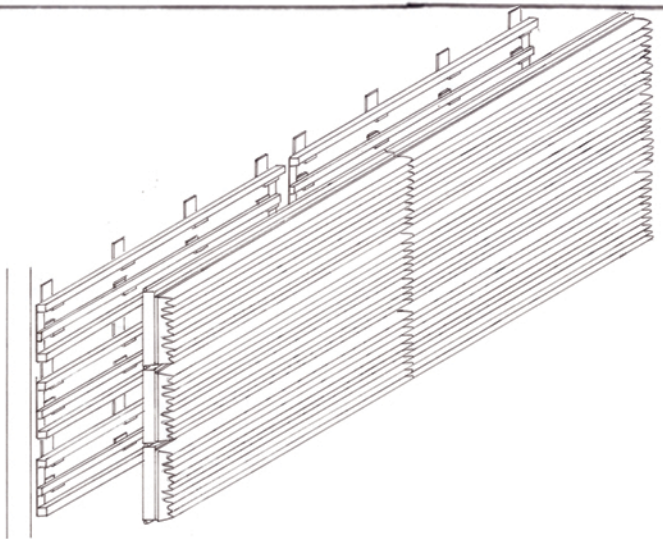
75mm x 60mm STEEL L-PLATE BOLTED TO RC WALL

200mm x 1800mm CONTOURED GFRC PANELS OF VARYING COLOURS.

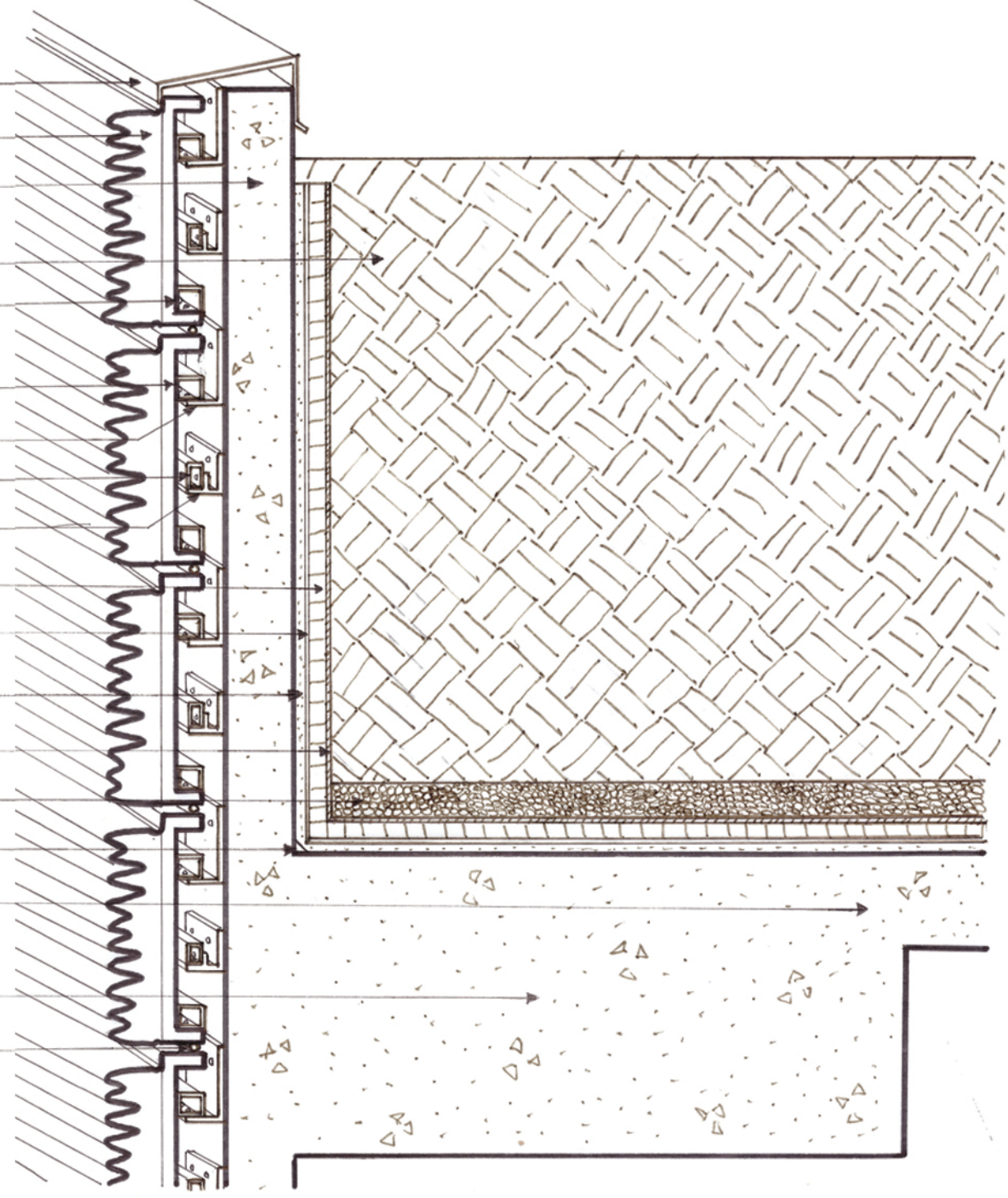
50mm x 50mm HOLLOW STEEL CHANNEL BOLTED TO GFRC FACADE

SILICON SEALANT

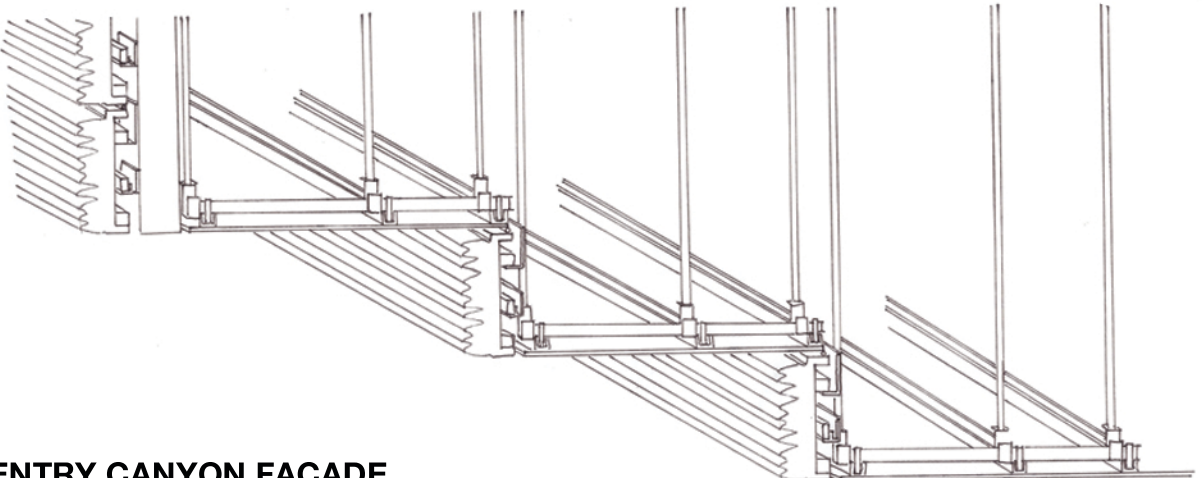
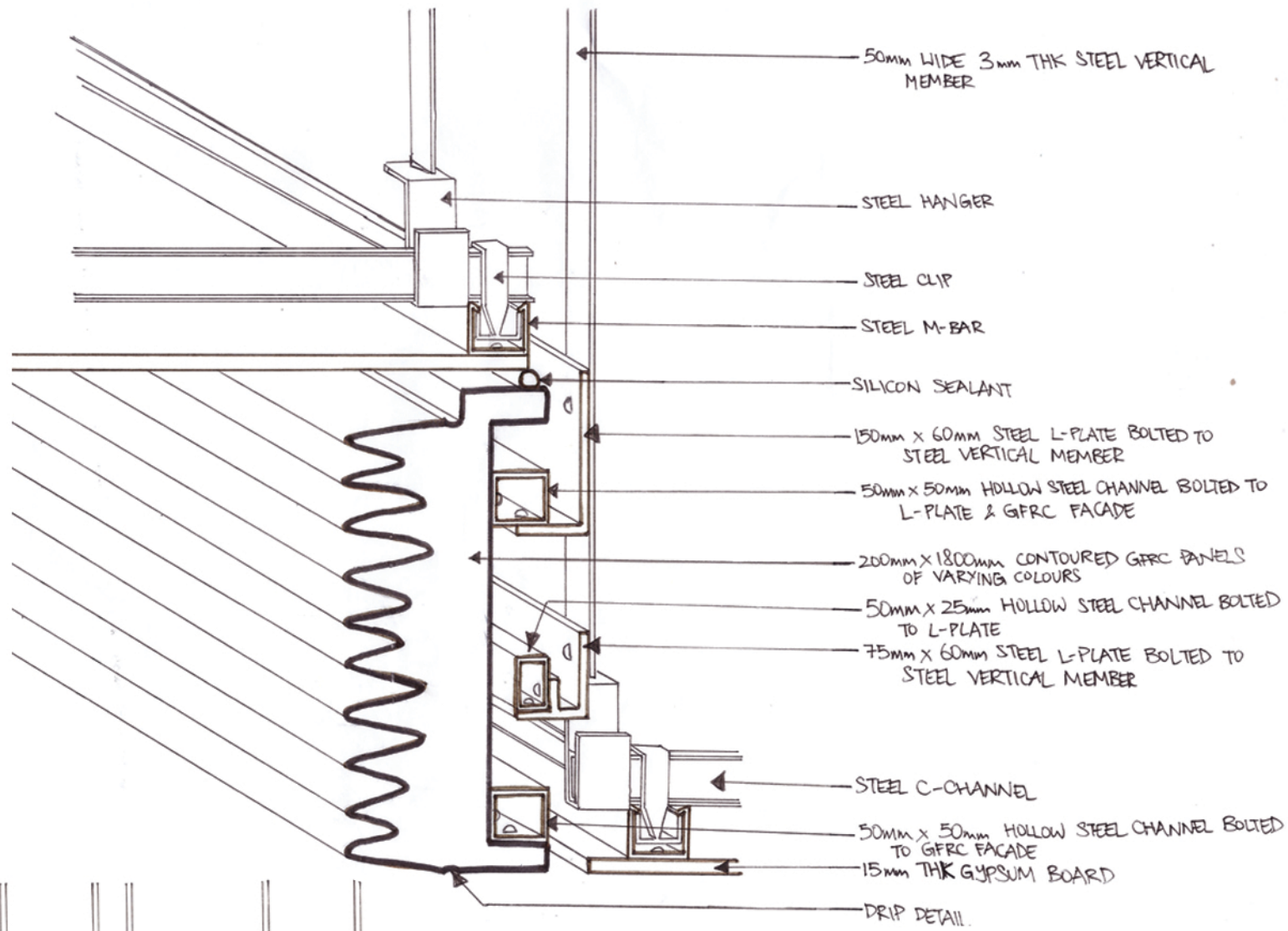
DRIP DETAIL



- 2.0mm THK ALUMINIUM BRACKET WITH 15mm THK POWDER COATED ALUMINIUM FACIIC COPING
- 200mm X 1800mm CONTOURED GFRc PANELS OF VARYING COLOURS.
- 150mm THK RC PLANTER BOX
- 1250mm THK SOIL/PLANTING MEDIUM
- 50mm X 50mm HOLLOW STEEL CHANNEL BOLTED TO GFRc FACADE
- 50mm X 50mm HOLLOW STEEL CHANNEL BOLTED TO L-PLATE & GFRc FACADE
- 150mm X 60mm STEEL L-PLATE BOLTED TO PLANTER BOX
- 50mm X 25mm HOLLOW STEEL CHANNEL BOLTED TO L-PLATE
- 75mm X 60mm STEEL L-PLATE BOLTED TO PLANTER BOX
- 40mm THK VERSICELL® DRAINAGE CELLS
- 5mm THK WATERPROOFING MEMBRANE & ROOT RESISTANCE
- 25mm THK CEMENT SCREED
- 2mm THK GEOTEXTILE FILTER LAYER
- 75mm THK COARSE SAND LAYER
- FILLET PIECE
- 200mm THK RC FLOOR SLAB
- RC BEAM
- SILICON SEALANT



PLANTER FACADE



ENTRY CANYON FACADE