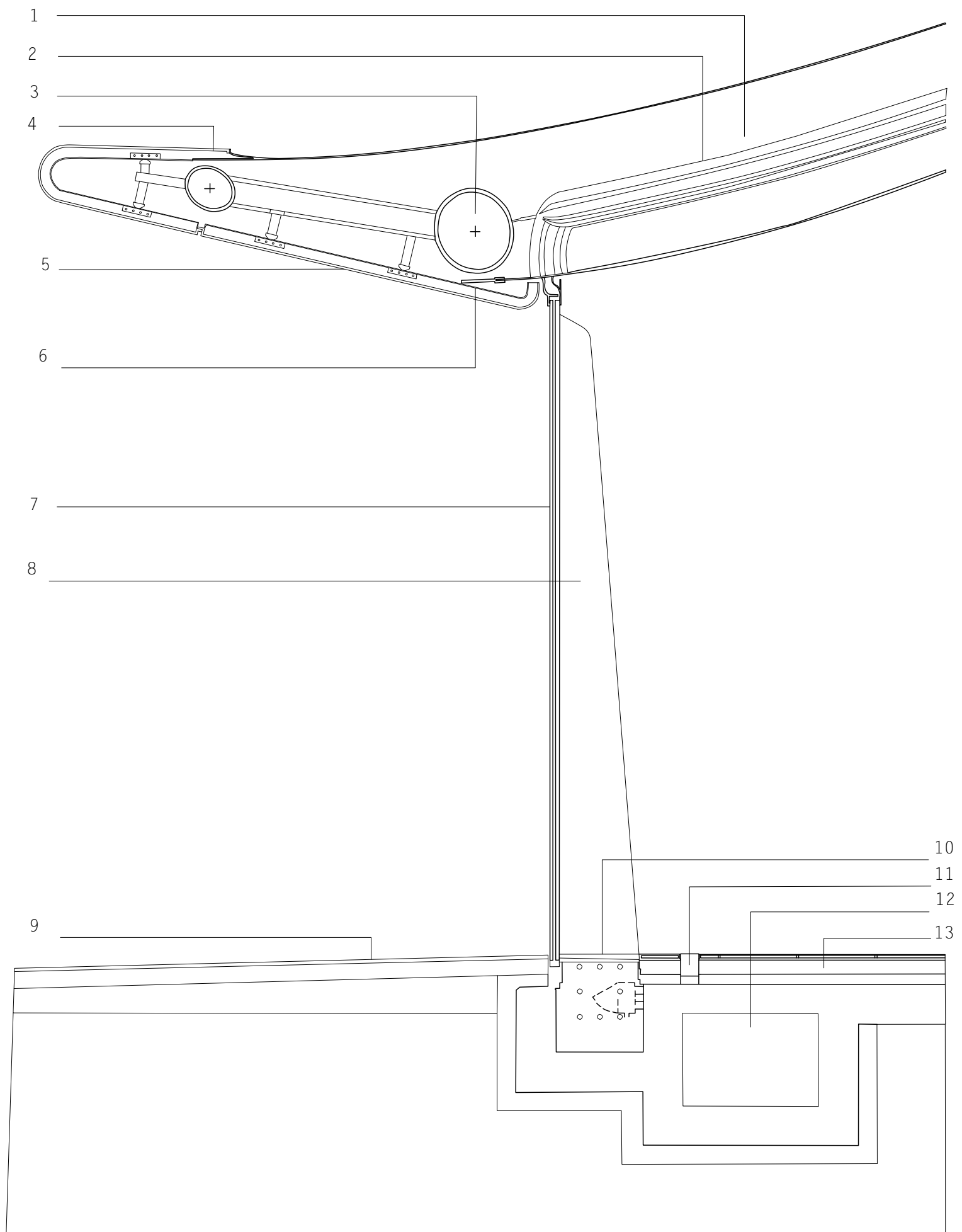


zaha hadid serpentine pavilion 2000



- 1.Outer membrane (PTFE coated glass fibre woven cloth)
- 2.Thermal Insulation
3. Steel ring beam
4. Clamping bracket for outer membrane
5. External cladding (fibre reinforced plastic)
6. Clamping bracket for inner membrane
7. Glass Wall(low iron double glazing)
8. Glass fin (low iron laminated glass)
9. External hardscape (resin bound gravel)
- 10.Ventilation and service trench
- 11.Celing uptight, floor recessed
- 12.Main air supply duct
13. Floor build up